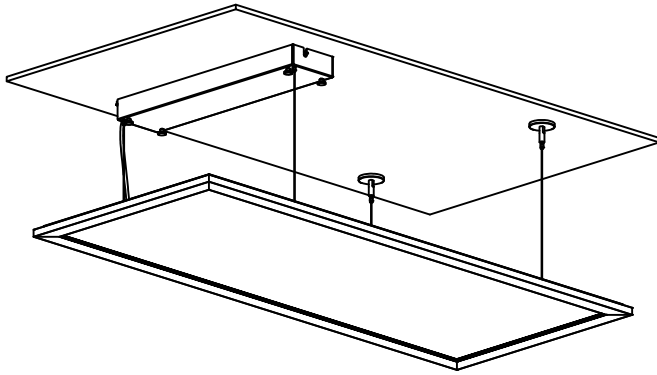
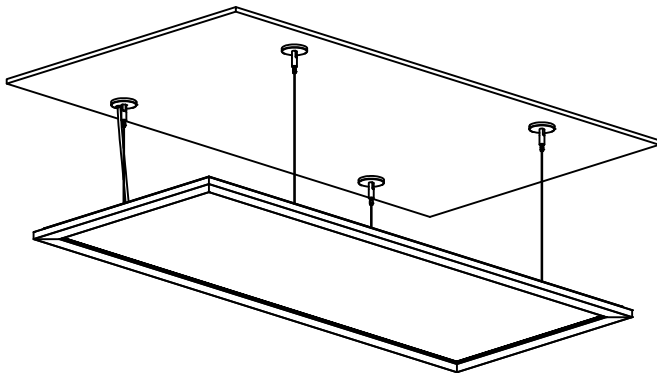


PENDANT MOUNT  
SURFACE MOUNT DRIVER BOX



PENDANT MOUNT  
REMOTE MOUNT DRIVER BOX



## TRANSPARENCY

### Pendant LED Panel

FAILURE TO USE FACTORY SUPPLIED COMPONENTS AND/OR MODIFYING PRODUCT IN ANY WAY WITHOUT AUTHORIZATION FROM FACTORY VOIDS WARRANTY.

No servicable parts inside luminaire. Contact Factory for spare parts.

**WARNING:** THIS PRODUCT MUST BE INSTALLED IN ACCORDANCE WITH THE APPLICABLE INSTALLATION CODE BY A PERSON FAMILIAR WITH THE CONSTRUCTION AND OPERATION OF THE PRODUCT AND THE HAZARDS INVOLVED.

**WARNING:** RISK OF FIRE AND SHOCK. LIVE WIRES PRESENT THE POTENTIAL FOR FATAL SHOCK HAZARD. To avoid shock hazard, make certain power is off before connecting fixture to supply conductors.

Supply wiring must be installed per local and national electrical codes.

MIN 75°C SUPPLY CONDUCTORS.

LUMINAIRE IS SUITABLE FOR DAMP LOCATIONS.

ACCESS ABOVE CEILING REQUIRED FOR REMOTE MOUNTING DRIVER BOX.

DRIVER BOX ENCLOSURE TYPE IC INHERENTLY PROTECTED.

DRIVER BOX VAPOR BARRIER MUST BE SUITABLE FOR 90°C.

Remove the protective cover from the luminaire before turning it on. Use care to not scratch the fixture while removing the protective cover.

Clean the luminaire with a lint free cloth. Do not use abrasive or alcohol cleaning agents as doing so could result in damaging the transparent material.

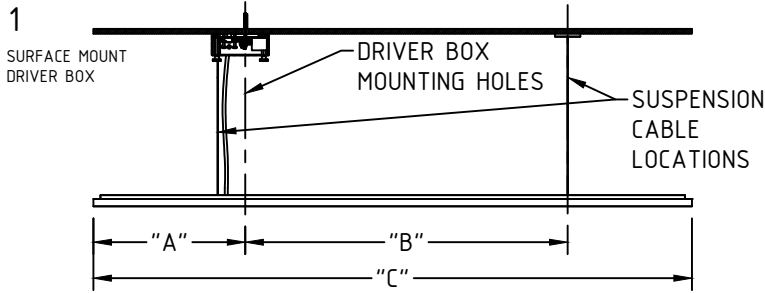
# TRANSPARENCY

## Pendant LED Panel

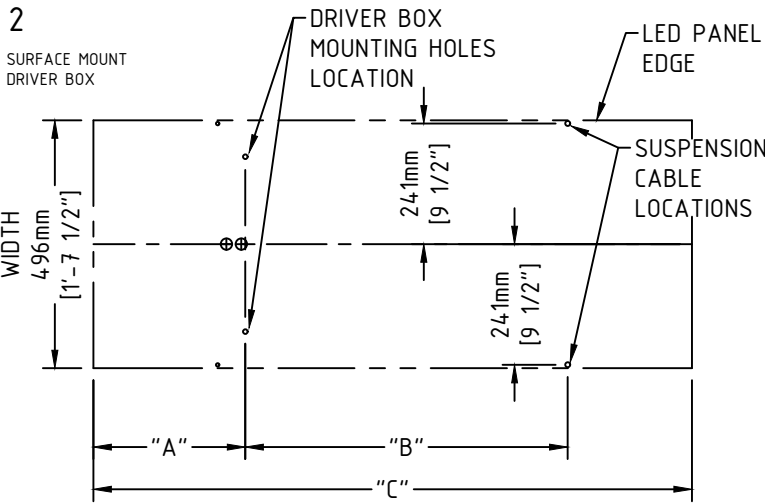
Note: Determine which mounting method, Surface Mount Driver Box or Remote Mount Driver Box, will be installed. For Remote Mount Driver Box, go to page 4.

### SURFACE MOUNT INSTALLATION

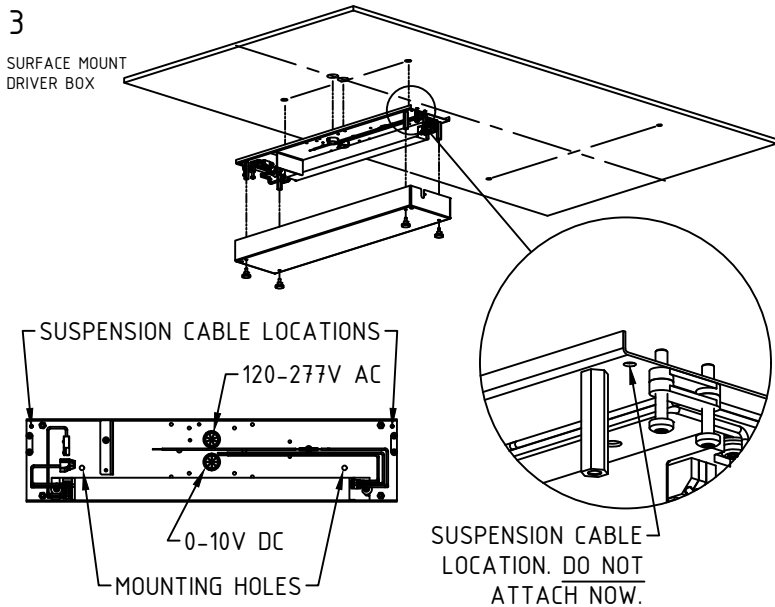
1. Determine location of luminaire according to the width and length ("C") of LED PANEL (Fig. 1 & 2).
2. Note DRIVER BOX mounting holes offset ("A") from end of LED PANEL for the luminaire model to be installed (Fig. 1 & Fig. 2).
3. Note orientation of DRIVER BOX SUSPENSION CABLE LOCATIONS will be positioned towards the closest end of the LED PANEL and not towards the middle of the LED PANEL (Fig. 1 & 2).
4. Remove DRIVER BOX THUMB SCREWS and DRIVER BOX COVER (Fig. 3).
5. Place DRIVER BOX TRAY against the ceiling at the location it will be mounted and mark two mounting hole locations, one 120-277V AC hole location, one 0-10V DC hole location, and two SUSPENSION CABLE LOCATIONS away from the DRIVER BOX mounting holes ("B") (Fig. 2 & 3).
6. Drill hole at marked locations, as required, for 120-277V AC and 0-10V DC (Fig. 2 & 3).
7. Drill two holes at marked locations for DRIVER BOX mounting holes (Fig. 2). For hole size, determine which hardware is required (Fig. 13).
8. Drill two holes at marked locations for SUSPENSION CABLES. For hole size, determine which hardware is required (Fig. 13).



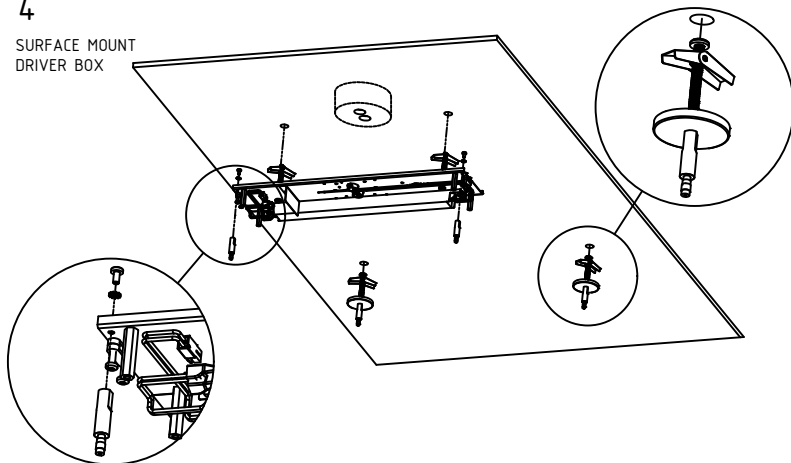
LUMINAIRE	"A"	"B"	"C"
TR-54-4FT	304mm/11 15/16"	645mm/2'-1 3/8"	1197mm/3'-11 1/8"
TR-67-5FT	353mm/1'-1 7/8"	832mm/2'-8 3/4"	1482mm/4'-10 3/8"



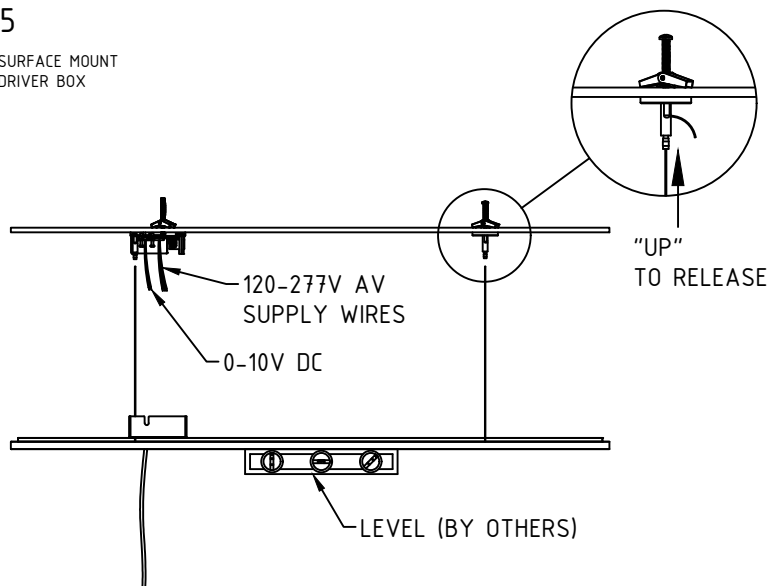
NOTE: TWO SUSPENSION CABLES WILL SUSPEND FROM THE DRIVER BOX, THEREFORE TWO SUSPENSION CABLE HOLES IN CEILING AT DRIVER BOX WILL NOT BE REQUIRED.



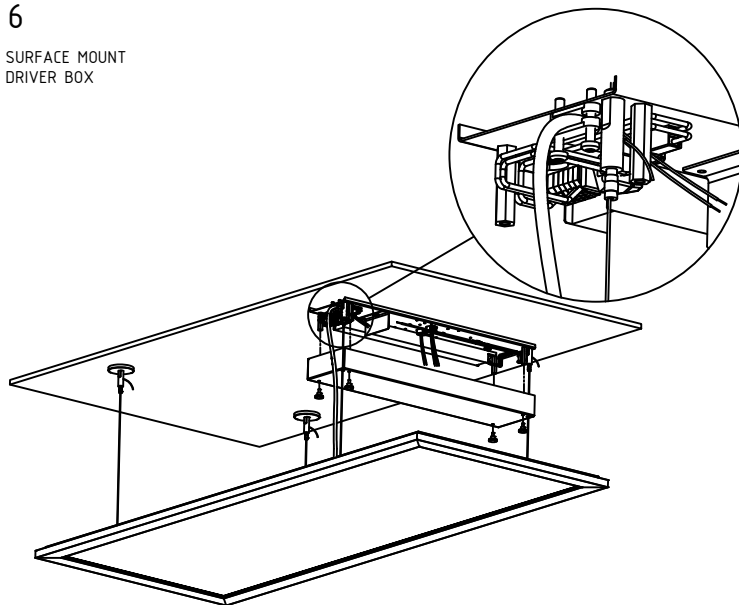
4

SURFACE MOUNT  
DRIVER BOX

5

SURFACE MOUNT  
DRIVER BOX

6

SURFACE MOUNT  
DRIVER BOX

## TRANSPARENCY Pendant LED Panel

### SURFACE MOUNT INSTALLATION

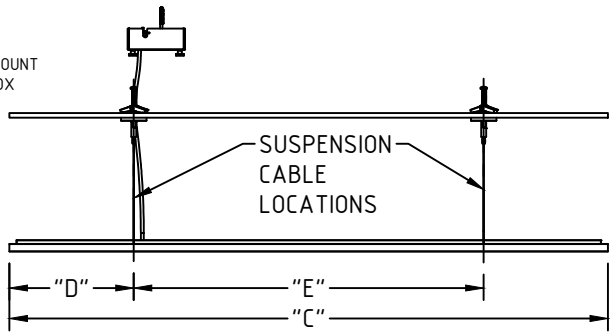
1. Attach two CABLE GRIPS to DRIVER BOX TRAY with SCREWS and LOCKWASHERS (Fig. 4).

**CAUTION: CABLE GRIPS MUST BE THREADED ONTO 1/4-20 SCREWS UNTIL THEY ARE SNUG.**

2. For drywall ceiling, assemble TOGGLE BOLTS to DRIVER BOX TRAY (Fig. 4). For other ceiling types use hardware (by others) suitable for ceiling structure (Fig. 13).
3. Route 120-277V AC (by others) and 0-10V DC (by others) from ceiling through DRIVER BOX TRAY BUSHINGS.
4. Attach DRIVER BOX to ceiling using TOGGLE BOLTS or hardware (by others) (Fig. 4).
5. Attach two CABLE GRIPS and CANOPIES to ceiling using hardware suitable for ceiling type (Fig. 4 & Fig. 13).
6. Slide DRIVER BOX COVER over SUSPENSION CABLES (Fig. 5). Lift LED PANEL into place and insert SUSPENSION CABLES into CABLE GRIPS until the SUSPENSION CABLE exits the side of the CABLE GRIP (Fig. 5). If SUSPENSION CABLE does not insert, push CABLE GRIP RELEASE upward. **DO NOT CUT SUSPENSION CABLES UNTIL FINAL HEIGHT AND LEVELING IS DETERMINED!**
7. Adjust four SUSPENSION CABLES until LED PANEL is level (Fig. 5).
8. Feed LED PANEL POWER CABLE into DRIVER BOX and secure with STRAIN RELIEF (Fig. 6).
9. Connect LED PANEL POWER CABLE to DRIVER OUTPUT LEADS (Fig. 14).
10. Connect 120-277V AC (by others) to DRIVER INPUT LEADS (Fig. 14).
11. Connect 0-10V DC (by others) to DRIVER DIMMING LEADS (Fig. 14).
12. Attach DRIVER BOX COVER with four DRIVER BOX COVER SCREWS (Fig. 6).

7

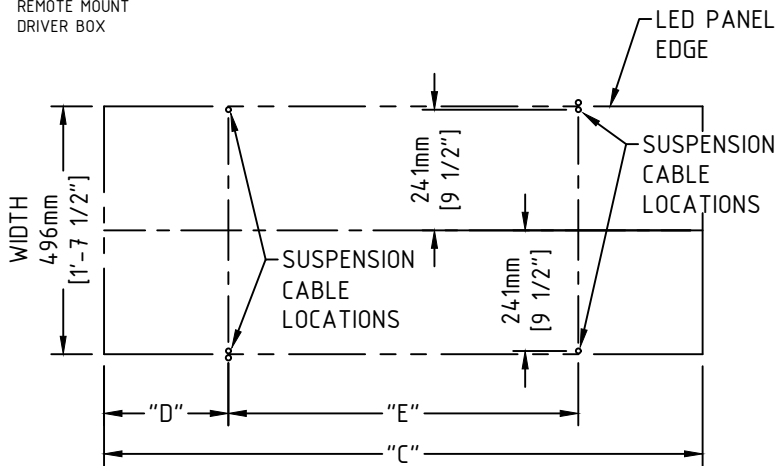
REMOTE MOUNT DRIVER BOX



LUMINAIRE	"D"	"E"	"C"
TR-54-4FT	249mm/9 13/16"	700mm/2'-3 9/16"	1197mm/3'-11 1/8"
TR-67-5FT	298mm/11 3/4"	887mm/2'-10 15/16"	1482mm/4'-10 3/8"

8

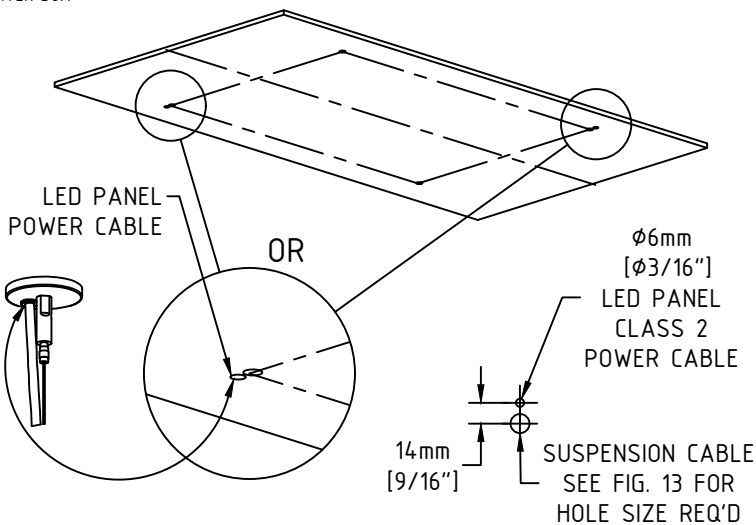
REMOTE MOUNT DRIVER BOX



VIEW LOOKING UP AT CEILING

9

REMOTE MOUNT DRIVER BOX



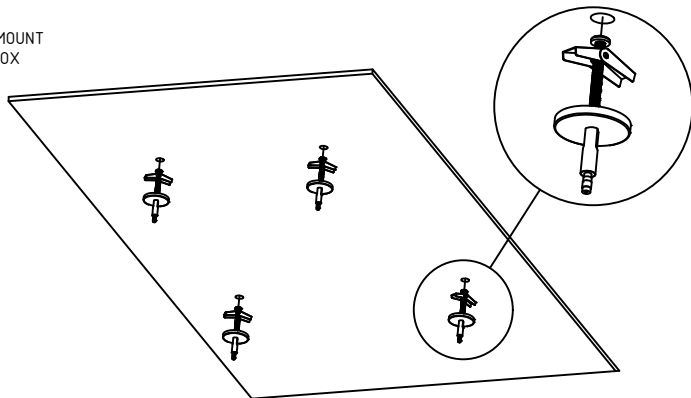
## TRANSPARENCY Pendant LED Panel

### REMOTE MOUNT INSTALLATION

1. Determine location of luminaire according to the width and length ("C") of LED PANEL (Fig 7 & 8).
2. Note SUSPENSION CABLE mounting holes offset ("D") from end of LED PANEL for the luminaire model to be installed (Fig. 7 & Fig. 8).
3. Locate and mark four SUSPENSION CABLE mounting holes ("E") (Fig. 8).
4. Drill four holes at marked locations for SUSPENSION CABLES. For hole size, determine which hardware is required (Fig. 13).
5. Determine orientation of LED PANEL POWER CABLE coming from LED PANEL to the ceiling.
6. Locate, mark, and drill hole for LED POWER CABLE at one of two possible locations (Fig. 9).

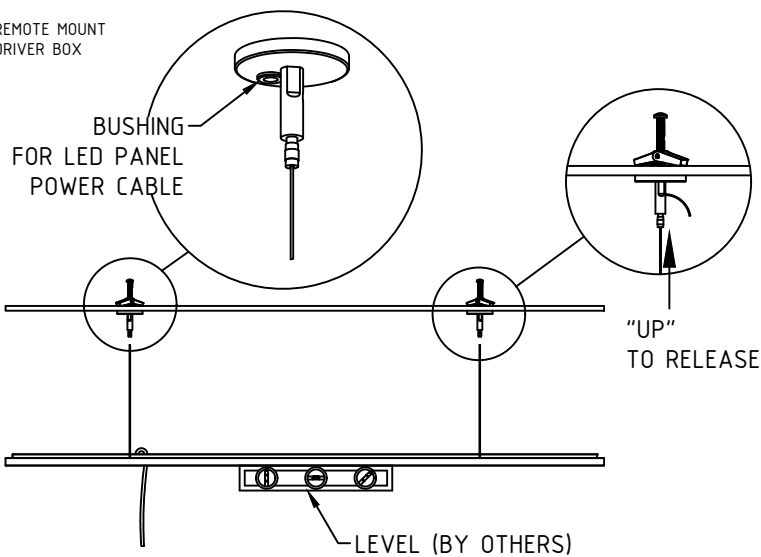
10

REMOTE MOUNT  
DRIVER BOX



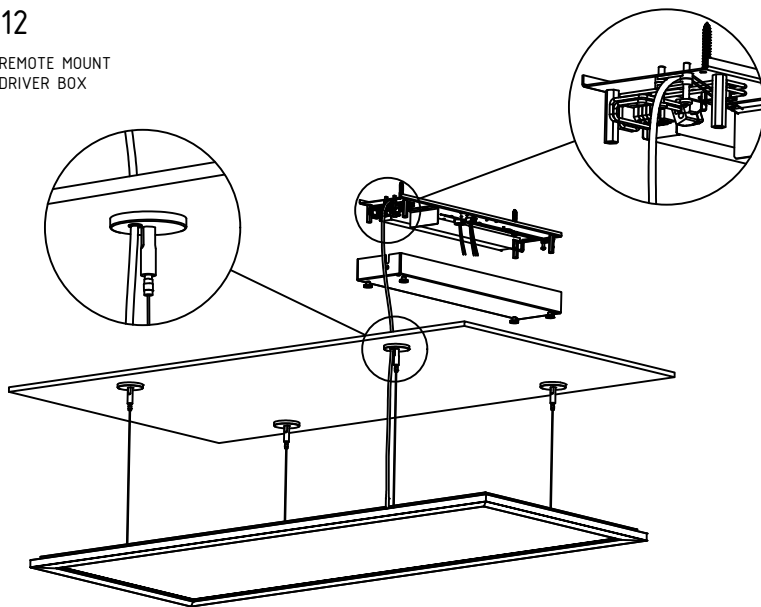
11

REMOTE MOUNT  
DRIVER BOX



12

REMOTE MOUNT  
DRIVER BOX



## TRANSPARENCY Pendant LED Panel

### REMOTE MOUNT INSTALLATION

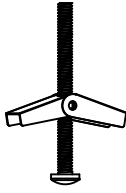
**CAUTION: CABLE GRIPS MUST BE THREADED ONTO 1/4-20 SCREWS UNTIL THEY ARE SNUG.**

1. Attach four CABLE GRIPS and CANOPIES to ceiling using hardware suitable for ceiling type (Fig. 10 & Fig. 13). Use CANOPY with BUSHING at LED PANEL POWER CABLE location (Fig. 11).
2. Lift LED PANEL into place and insert SUSPENSION CABLES into CABLE GRIPS until the SUSPENSION CABLE exits the side of the CABLE GRIP (Fig. 11). If SUSPENSION CABLE does not insert, push CABLE GRIP RELEASE upward. **DO NOT CUT SUSPENSION CABLES UNTIL FINAL HEIGHT AND LEVELING IS DETERMINED!**
3. Adjust four SUSPENSION CABLES until LED PANEL is level (Fig. 11).
4. Feed LED PANEL POWER CABLE through the CANOPY with BUSHING (Fig. 12).
5. Mount REMOTE DRIVER BOX to building structural member per local code and NEC. Be sure to mount the REMOTE DRIVER BOX close enough to the LED PANEL as the LED PANEL POWER CABLE is 10' in length.
6. Feed LED PANEL POWER CABLE into DRIVER BOX and secure with STRAIN RELIEF (Fig. 12).
7. Route 120-277V AC (by others) and 0-10V DC (by others) through DRIVER BOX TRAY BUSHINGS.
8. Connect LED PANEL POWER CABLE to DRIVER OUTPUT LEADS (Fig. 14).
9. Connect 120-277V AC (by others) to DRIVER INPUT LEADS (Fig. 14).
10. Connect 0-10V DC (by others) to DRIVER DIMMING LEADS (Fig. 14).
11. Attach DRIVER BOX COVER with four DRIVER BOX COVER SCREWS (Fig. 12).

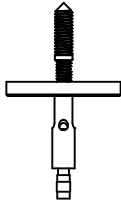
13



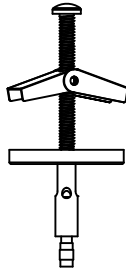
DRIVER BOX MOUNTED TO WOOD/METAL  
SCREW (BY OTHERS)  
INSTALL ACCORDING TO MANUFACTURERS  
SPECIFICATIONS



DRIVER BOX MOUNTED TO DRYWALL  
1/4-20 TOGGLE BOLT  
Ø1/2" HOLE REQUIRED



CABLE GRIPPER MOUNTED TO WOOD  
1/4-20 x 1/4-10 LAG  
SOFT WOOD - Ø3/32" PILOT HOLE REQUIRED  
MEDIUM WOOD - Ø5/32" PILOT HOLE REQUIRED  
HARD WOOD - Ø3/16" PILOT HOLE REQUIRED



CABLE GRIPPER MOUNTED TO DRYWALL  
1/4-20 TOGGLE BOLT  
Ø1/2" HOLE REQUIRED

## TRANSPARENCY Pendant LED Panel

HOLE SIZES REQUIRED FOR CEILING TYPE

14

WIRING DIAGRAM

